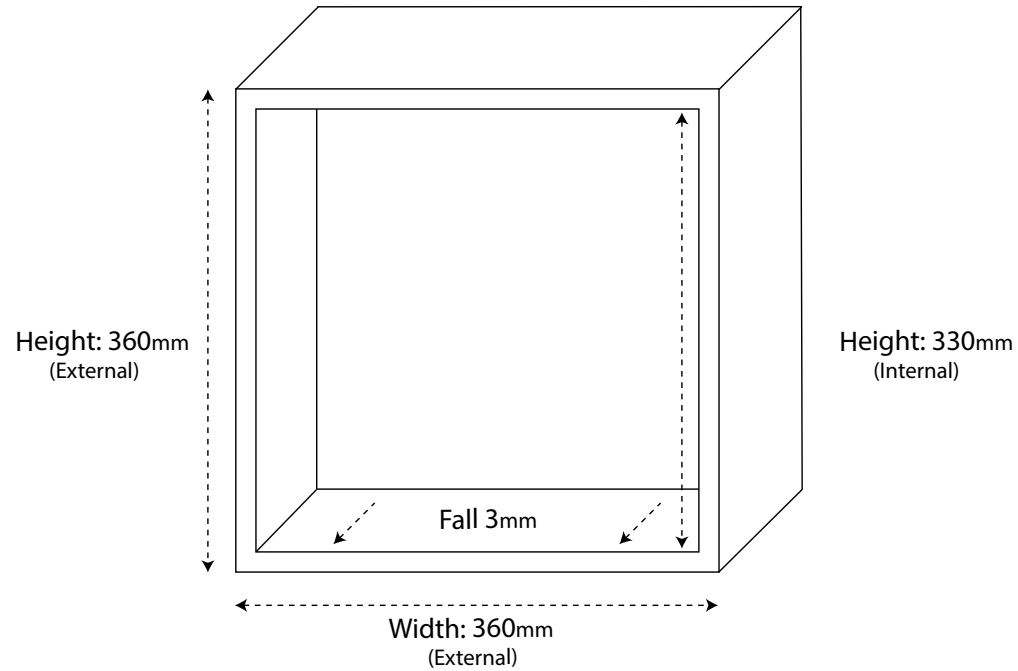
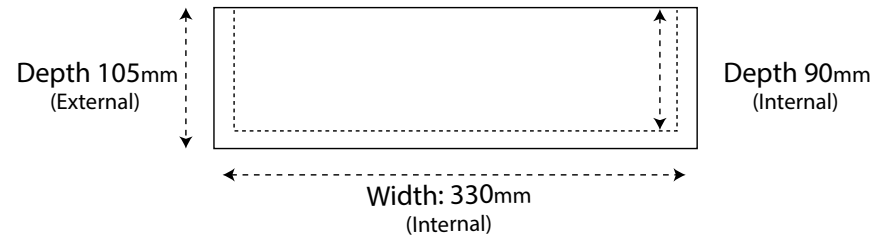


### Persepective



### Side Elevation



**UNIVERSAL  
SHOWER BASE**

- AS 3740-2010 and AS 3588-1996 compliant
- Manufactured with a fall ratio of 1:30
- Allow an additional 3mm per side for glue when checking into wall frames
- To suit Tile application only
- Manufactured from a Polyurethane Foam
- Custom options available upon request

**360 X 360**

**TILE OVER NICHE**